



Fish Scaler
Model FS-US-0246
Item 45357
Instruction Manual



Revised - 07/13/2021



Toll Free: 1-800-465-0234
Fax: 905-607-0234
Email: service@omcan.com
www.omcan.com

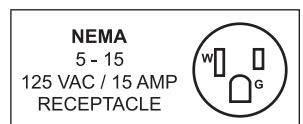


Table of Contents

Model FS-US-0246

Section	Page
General Information -----	3 - 4
Safety and Warranty -----	4 - 6
Technical Specifications -----	6
Installation -----	6
Operation -----	6
Maintenance -----	7
Parts Breakdown -----	7 - 10
Electrical Schematics -----	11
Notes -----	12 - 14
Warranty Registration -----	15



General Information

Omcan Manufacturing and Distributing Company Inc., Food Machinery of America, Inc. dba Omcan and Omcan Inc. are not responsible for any harm or injury caused due to any person's improper or negligent use of this equipment. The product shall only be operated by someone over the age of 18, of sound mind, and not under the influence of any drugs or alcohol, who has been trained in the correct operation of this machine, and is wearing authorized, proper safety clothing. Any modification to the machine voids any warranty, and may cause harm to individuals using the machine or in the vicinity of the machine while in operation.

CHECK PACKAGE UPON ARRIVAL

Upon receipt of an Omcan shipment please inspect for external damage. If no damage is evident on the external packaging, open carton to ensure all ordered items are within the box, and there is no concealed damage to the machine. If the package has suffered rough handling, bumps or damage (visible or concealed), please note it on the bill of lading before accepting the delivery and contact Omcan within 24 hours, so we may initiate a claim with the carrier. A detailed report on the extent of the damage caused to the machine must be filled out within three days, from the delivery date shown in the shipping documents. Omcan has no recourse for damaged products that were shipped collect or third party.

Before operating any equipment, always read and familiarize yourself with all operation and safety instructions.

Omcan would like to thank you for purchasing this machine. It's of the utmost importance to save these instructions for future reference. Also save the original box and packaging for shipping the equipment if servicing or returning of the machine is required.

Omcan Fabrication et distribution Compañie Limité et Food Machinery d'Amérique, dba Omcan et Omcan Inc. ne sont pas responsables de tout dommage ou blessure causé du fait que toute personne ait utilisé cet équipement de façon irrégulière. Le produit ne doit être exploité que par quelqu'un de plus de 18 ans, saine d'esprit, et pas sous l'influence d'une drogue ou d'alcool, qui a été formé pour utiliser cette machine correctement, et est vêtu de vêtements de sécurité approprié. Toute modification de la machine annule toute garantie, et peut causer un préjudice à des personnes utilisant la machine ou des personnes à proximité de la machine pendant son fonctionnement.

VÉRIFIEZ LE COLIS DÈS RÉCEPTION

Dès réception d'une expédition d'Omcan veuillez inspecter pour dommages externes. Si aucun dommage n'est visible sur l'emballage externe, ouvrez le carton afin de s'assurer que tous les éléments commandés sont dans la boîte, et il n'y a aucun dommage dissimulé à la machine. Si le colis n'a subi aucune mauvaises manipulations, de bosses ou de dommages (visible ou cachée), notez-le sur le bond de livraison avant d'accepter la livraison et contactez Omcan dans les 24 heures qui suivent, pour que nous puissions engager une réclamation auprès du transporteur. Un rapport détaillé sur l'étendue des dommages causés à la machine doit être rempli dans un délai de trois jours, à compter de la date de livraison indiquée dans les documents d'expédition. Omcan n'a aucun droit de recours pour les produits endommagés qui ont été expédiés ou cueilli par un tiers transporteur.

General Information

Avant d'utiliser n'importe quel équipement, toujours lire et vous familiariser avec toutes les opérations et les consignes de sécurité.

Omcan voudrais vous remercier d'avoir choisi cette machine. Il est primordial de conserver ces instructions pour une référence ultérieure. Également conservez la boîte originale et l'emballage pour l'expédition de l'équipement si l'entretien ou le retour de la machine est nécessaire.

Omcan Empresa De Fabricacion Y Distribucion Inc. Y Maquinaria De Alimentos De America, Inc. dba Omcan y Omcan Inc. no son responsables de ningun daño o perjuicio causado por cualquier persona inadecuada o el uso descuidado de este equipo. El producto solo podra ser operado por una persona mayor de 18 años, en su sano juicio y no bajo alguna influencia de droga o alcohol, y que este ha sido entrenado en el correcto funcionamiento de esta máquina, y ésta usando ropa apropiada y autorizada. Cualquier modificación a la máquina anula la garantía y puede causar daños a las personas usando la máquina mientras esta en el funcionamiento.

REVISE EL PAQUETE A SU LLEGADA

Tras la recepcion de un envio Omcan favor inspeccionar daños externos. Si no hay daños evidentes en el empaque exterior, Habra el carton para asegurarse que todos los articulos solicitados estén dentro de la caja y no encuentre daños ocultos en la máquina. Si el paquete ha sufrido un manejo de poco cuidado, golpes o daños (visible o oculto) por favor anote en la factura antes de aceptar la entrega y contacte Omcan dentro de las 24 horas, de modo que podamos iniciar una reclamación con la compañía. Un informe detallado sobre los daños causados a la máquina debe ser llenado en el plazo de tres días, desde la fecha de entrega que se muestra en los documentos de envío. Omcan no tiene ningun recurso por productos dañados que se enviaron a recoger por terceros.

Antes de utilizar cualquier equipo, siempre lea y familiarizarse con todas las instrucciones de funcionamiento y seguridad.

Omcan le gustaría darle las gracias por la compra de esta máquina. Es de la mayor importancia para salvar estas instrucciones para futuras consultas. Además, guarda la caja original y el embalaje para el envío del equipo si servicio técnico o devolución de la máquina que se requiere.

Safety and Warranty

WARNING

When using fish scalers as with any electric tool basic safety precautions should always be followed to reduce the risk of fire, electric shock, and personal injury.

READ ALL INSTRUCTIONS



Safety and Warranty

GROUNDING INSTRUCTIONS

This tool should be grounded while in use to protect the operator from electric shock. The tool is equipped with a three conductor cord and three prong grounding type plug to fit the proper grounding type receptacle. The green conductor in the cord is the grounding wire. Never connect the green wire to a live terminal.

GENERAL SAFETY PROCEDURES

- Keep work area clean. Cluttered areas invite injury.
- Keep children away. Do not let visitors contact tool or extension cord. All visitors should be kept away from work area.
- Do not use the tool for any purpose for which it is not intended.
- Dress properly, do not wear loose clothing or jewelry as they can get caught in moving parts.
- Wear safety glasses to protect against flying debris.
- Don't overreach, keep proper footing and balance at all times.
- Disconnect power cord when not in use, before servicing and when changing flexible shafts, handpieces, and tools.
- Avoid unintentional starting. Be sure switch is off (handpiece holder down) before plugging tool in.
- Stay alert, be aware of what you are doing and others around you. Do not operate the tool when you are tired.
- Check for damaged parts before use of the tool. Any part damaged such as a guard should be repaired or replaced by an authorized service center. Do not use tool if switch does not turn it on and off.

RESIDENTIAL USERS: Vendor assumes no liability for parts or labor coverage for component failure or other damages resulting from installation in non-commercial or residential applications. The right is reserved to deny shipment for residential usage; if this occurs, you will be notified as soon as possible.

1 YEAR PARTS AND LABOUR BENCH WARRANTY

Within the warranty period, contact Omcan Inc. at 1-800-465-0234 to schedule a drop off to either an Omcan authorized service depot in the area, or to an Omcan Service warehouse to repair the equipment.

Unauthorized maintenance will void the warranty. Warranty covers electrical and part failures, not improper use.

Please see <https://omcan.com/disclaimer> for complete info.

WARNING:

The packaging components are classified as normal solid urban waste and can therefore be disposed of without difficulty.

In any case, for suitable recycling, we suggest disposing of the products separately (differentiated waste) according to the current norms.

Safety and Warranty

DO NOT DISCARD ANY PACKAGING MATERIALS IN THE ENVIRONMENT!

Technical Specifications

Model	FS-US-0246
Power	0.33 HP / 0.25 kW
RPM	3450
Electrical	110V / 60Hz / 1
Weight	35 lbs. / 15.9 kgs.
Packaging Weight	37 lbs. / 16.8 kgs.
Packaging Dimensions	20" x 20" x 12" / 508 x 508 x 305mm
Item Number	45357

Installation

ASSEMBLY INSTRUCTIONS

BE SURE UNIT IS UNPLUGGED AND SWITCH IS IN THE OFF POSITION BEFORE PROCEEDING.

- Align and insert flexible core into motor core adapter.
- Insert outer casing into motor casing adapter until the shoulder on the coupling bottoms out.
- Tighten both socket cap screws using a 3/16" hex key.
- Insert the flexible core into the adapter on the hand piece, and then thread hand piece onto flexible shaft.
- Hang unit from a secure mounting at a height that allows the shaft to have a gradual arc while the operator is using the tool.
- The scaler is now ready for use.

Operation

Hold the hand piece securely by the knurled anti slip handle. Keep hands away from the cutter head. Lift the yellow hand piece holder to start the motor. Beginning with the tail end of the fish, slowly move the cutter head toward the head of the fish. Repeat this motion until all the scales have been removed. When you are finished scaling turn the power off by pulling the hanger down, and replacing the hand piece on the holder after it has stopped spinning.

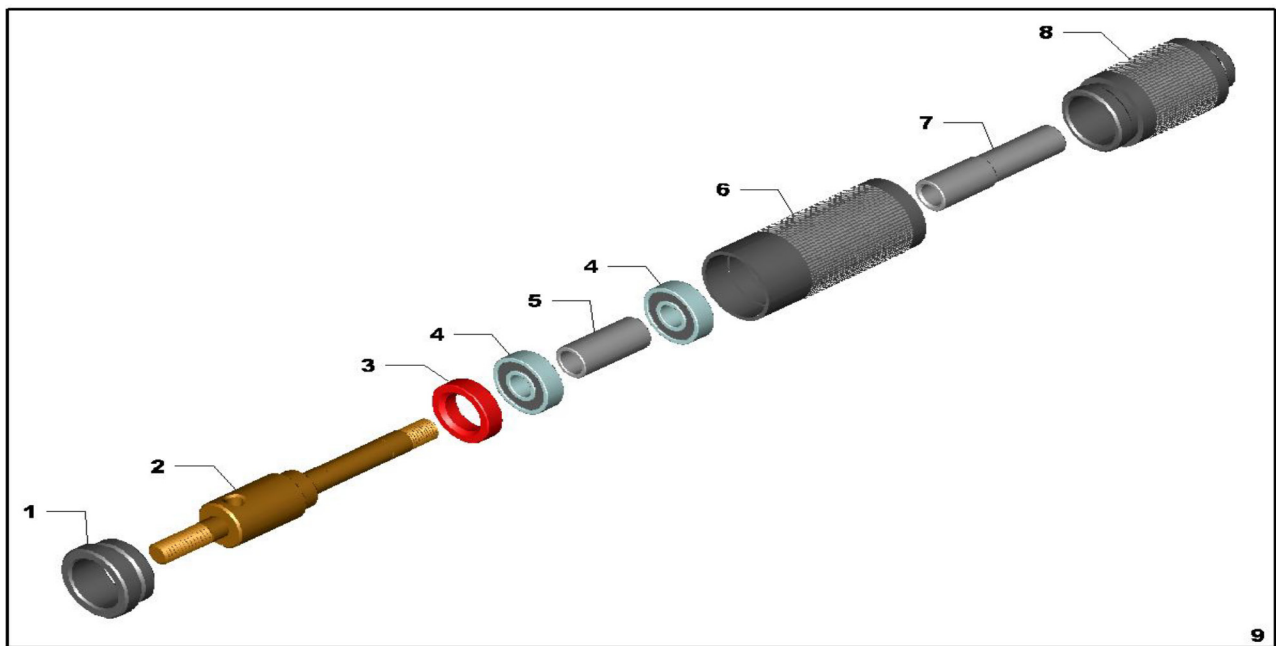
Maintenance

The motor and the hand piece use sealed bearings which require no maintenance over their life span. The life expectancy of the flexible shaft can be increased by lubricating the inner core after every one hundred hours of use. To lubricate the inner core remove the shaft from the motor and then slide the inner flexible shaft out of the rubber housing. Wipe the old grease off and then reinstall the core applying approximately 1/16" of Omcan food grade lubricant (Item: 31212) along the whole length.

Parts Breakdown

Model FS-US-0246 45357

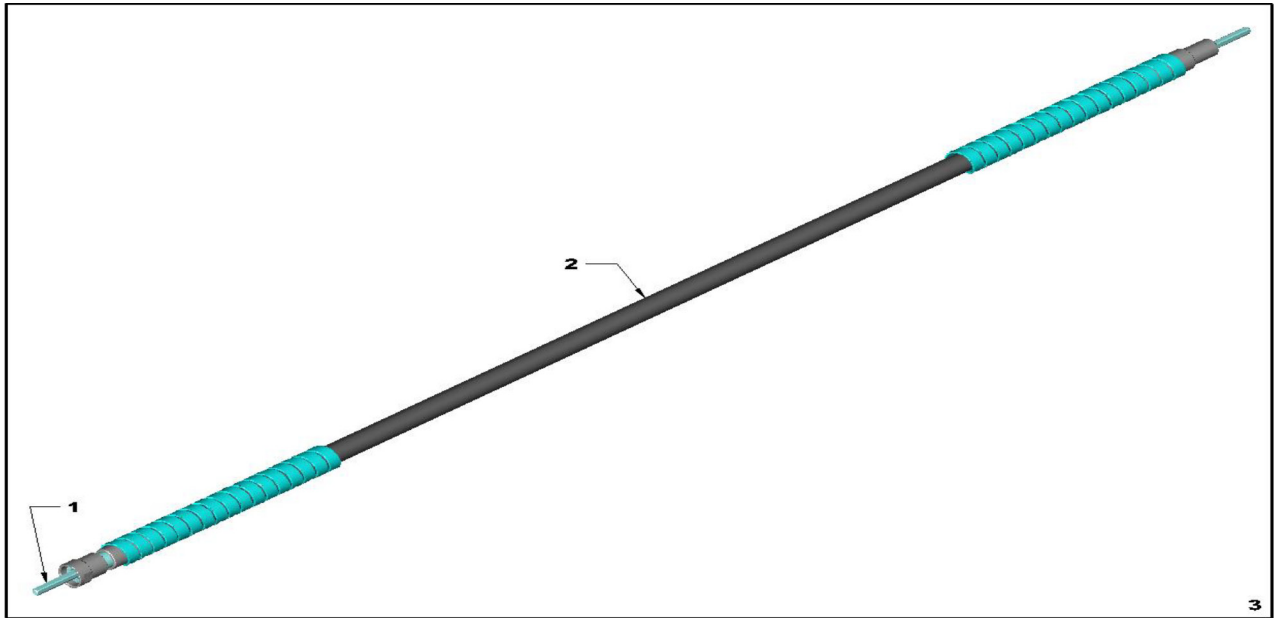
Hand Piece



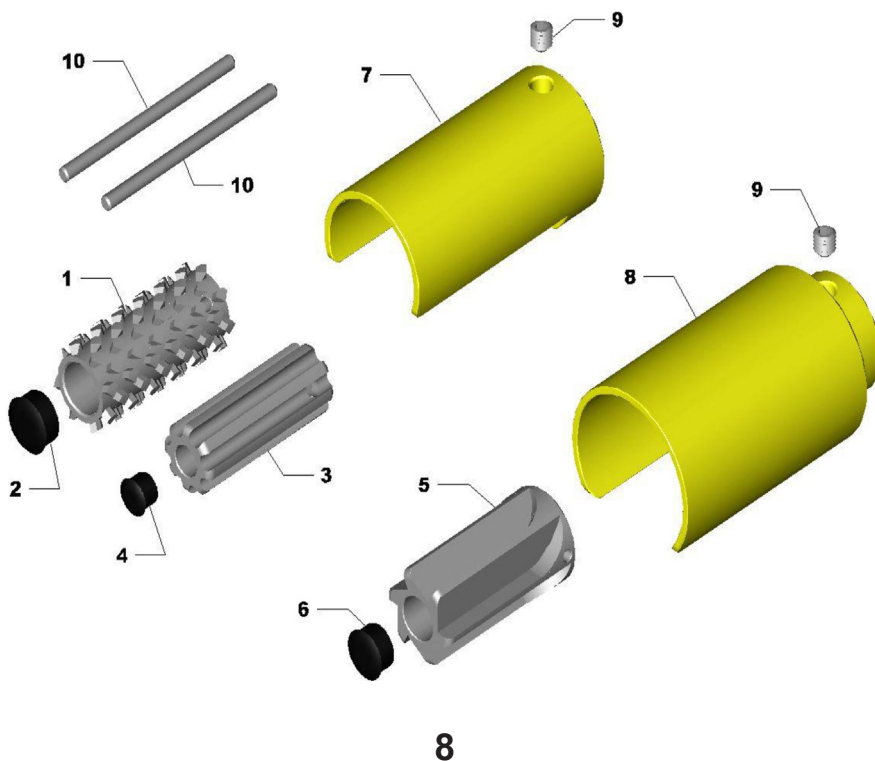
Parts Breakdown

Model FS-US-0246 45357

Shaft Assembly



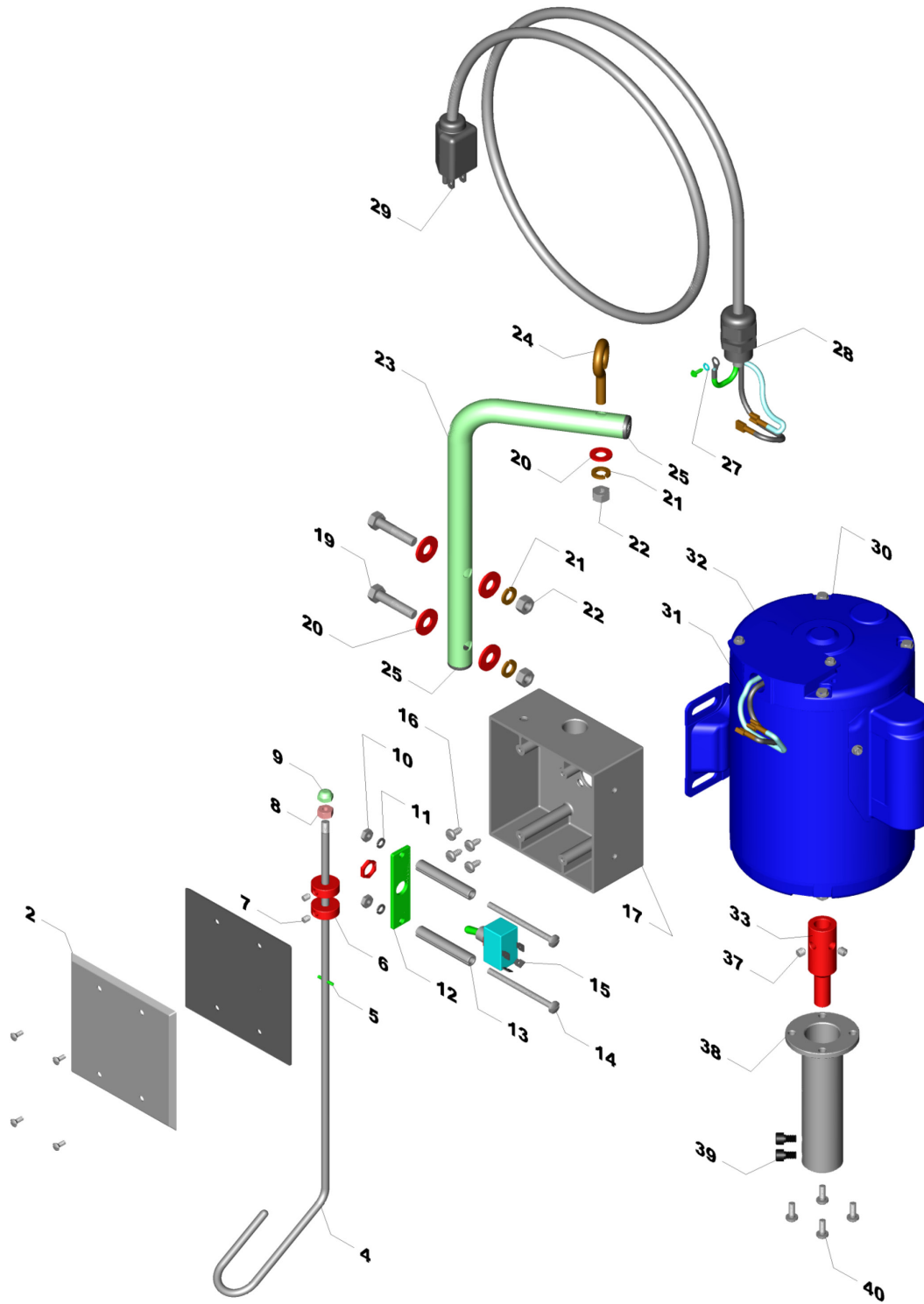
Cutters and Guards



Parts Breakdown

Model FS-US-0246 45357

Power Unit Assembly



Parts Breakdown

Model FS-US-0246 45357

Hand Piece

Item No.	Description	Position	Item No.	Description	Position	Item No.	Description	Position
67410	Cap Bearing for 45357	1	67413	Bearing for 45357	4	67416	Core Adapter for 45357	7
67411	Spindle for 45357	2	67414	Spacer for 45357	5	67417	Casing Adapter for 45357	8
67412	Oil Seal for 45357	3	67415	Housing for 45357	6	41753	Standard Duty Handpiece for 45357	9

Shaft Assembly

Item No.	Description	Position	Item No.	Description	Position	Item No.	Description	Position
41751	Standard Duty Core Only for 45357	1	41752	Flexible Shaft Casing Only for 45357	2	67418	Complete Shaft Assembly for 45357	3

Cutters and Guards

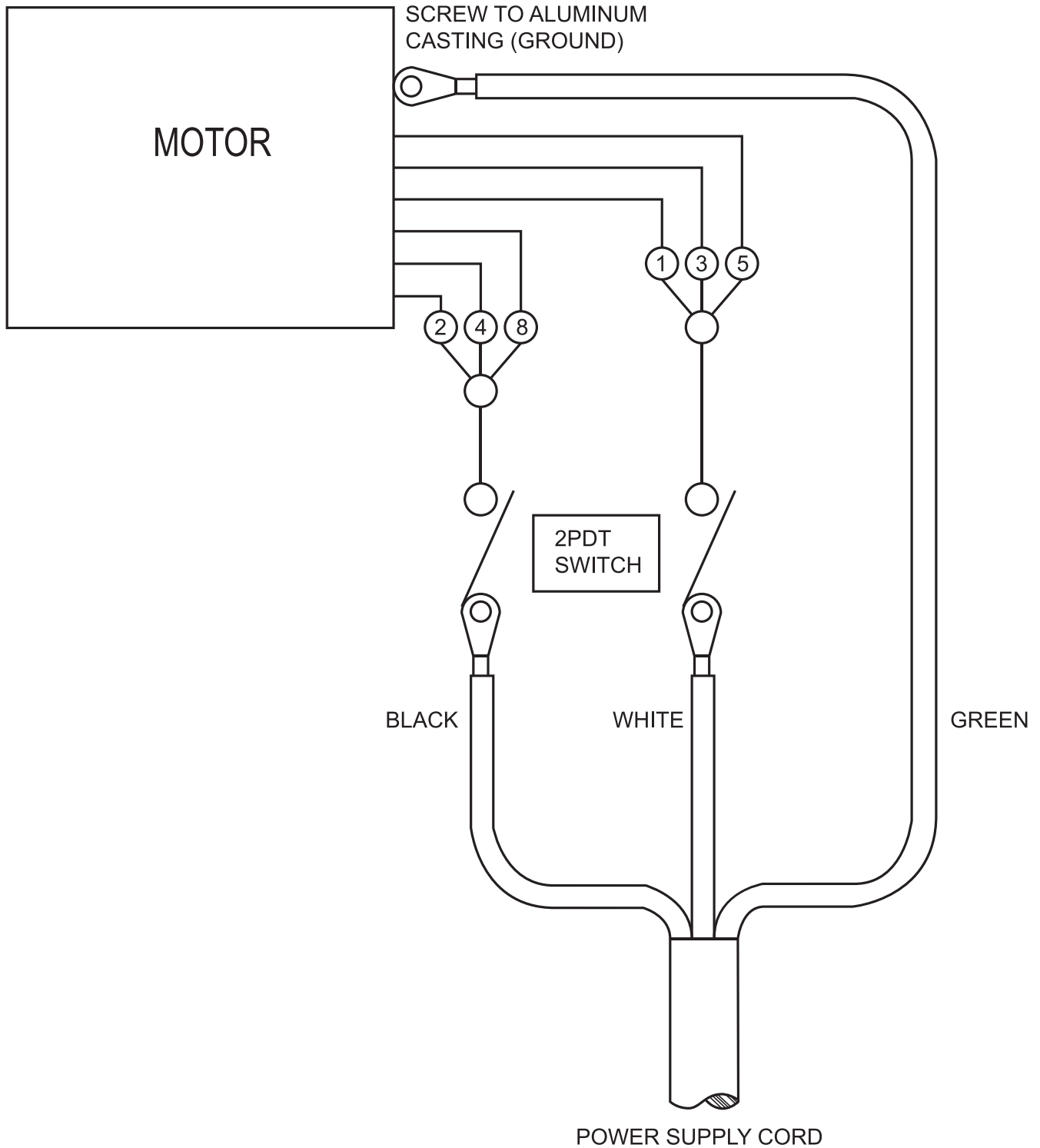
Item No.	Description	Position	Item No.	Description	Position	Item No.	Description	Position
67419	Diamond Pattern Cutter for 45357	1	67423	6 Flute Cutter for 45357	5	67427	Guard of 6 Flute Cutter for 45357	8
67420	Diamond Pattern End Cap for 45357	2	67424	6 Flute Cutter End Cap for 45357	6	67428	Guard of 6 Flute Cutter with Set Screw for 45357	8A
37570	8 Flute Cutter (Small Scale) for 45357	3	67425	Guard of Diamond and 8 Flute Cutter for 45357	7	67429	Set Screw for 45357	9
67422	8 Flute Cutter End Cap for 45357	4	67426	Guard of Diamond and 8 Flute Cutter with Set Screw for 45357	7A	67430	Pin of Cutter Assembly for 45357	10

Power Unit Assembly

Item No.	Description	Position	Item No.	Description	Position	Item No.	Description	Position
37635	Cover for 45357	2	37629	Screw for 45357	14	37624	Electric Cord for 45357	29
37636	Scaler Shaft Hanger for 45357	4	37633	Switch for 45357	15	37631	Electric Motor for 45357	30
67431	Hanger with Spring Pin, Nut and Acorn Nut for 45357	4A	67438	Screw for 45357	16	67446	Complete Power Unit without Core and Casing Adapters for 45357	30A
37637	Stainless Steel Roll Pin for 45357	5	37634	Electric Box for 45357	17	37638	Wiring Harness for 45357	31
67432	Switch Spacer for 45357	6	67439	Bolt for 45357	19	37632	Wire Nut for 45357	32
37622	Ring for 45357	6A	67440	Washer for 45357	20	67447	Core Adapter Standard Duty for 45357	33
67433	Set Screw for 45357	7	67441	Lock Washer for 45357	21	37627	Standard Core Adapter for 45357	33A
67434	Nut for 45357	8	67442	Nut for 45357	22	67448	Set Screw of Core Adapter for 45357	37
67435	Acorn Nut for 45357	9	67443	Hanger for 45357	23	67449	Casing Adapter for 45357	38
67436	Nut for 45357	10	37625	Hanger Assembly for 45357	23A	37628	Casing Adapter for 45357	38A
67437	Lock Washer for 45357	11, 27	67444	Eye Bolt for 45357	24	67450	Socket Cap Screw for 45357	39
37630	Switch Mounting Plate for 45357	12	67445	End Cap for 45357	25	67451	Pan Head Screw for 45357	40
37639	Spacer for 45357	13	37623	Strain Relief for 45357	28			

Electrical Schematics

Model FS-US-0246 45357



Notes

Notes

Notes



Warranty Registration

Thank you for purchasing an Omcan product. To register your warranty for this product, complete the information below, tear off the card at the perforation and then send to the address specified below. You can also register online by visiting:

Merci d'avoir acheté un produit Omcan. Pour enregistrer votre garantie pour ce produit, complétez les informations ci-dessous, détachez la carte au niveau de la perforation, puis l'envoyer à l'adresse spécifiée ci-dessous. Vous pouvez également vous inscrire en ligne en visitant:

Gracias por comprar un producto Omcan usted. Para registrar su garantía para este producto, complete la información a continuación, cortar la tarjeta en la perforación y luego enviarlo a la dirección indicada a continuación. También puede registrarse en línea en:

<https://omcan.com/warranty-registration/>

For mailing in Canada

Pour postale au Canada

Por correo en Canadá

OMCAN

PRODUCT WARRANTY REGISTRATION

3115 Pepper Mill Court,

Mississauga, Ontario

Canada, L5L 4X5

For mailing in the US

Pour diffusion aux États-Unis

Por correo en los EE.UU.

OMCAN

PRODUCT WARRANTY REGISTRATION

4450 Witmer Industrial Estates, Unit 4,

Niagara Falls, New York

USA, 14305

or email to: service@omcan.com



Purchaser's Information

Name: _____

Address: _____

City: _____ Province or State: _____ Postal or Zip: _____

Country: _____

Dealer from which Purchased: _____

Dealer City: _____ Dealer Province or State: _____

Invoice: _____

Model Name: _____ Model Number: _____

Machine Description: _____

Date of Purchase (MM/DD/YYYY): _____

Would you like to extend the warranty? Yes No

Company Name: _____

Telephone: _____

Email Address: _____

Type of Company:

Restaurant Bakery Deli

Butcher Supermarket Caterer

Institution (specify): _____

Other (specify): _____

Serial Number: _____

Date of Installation (MM/DD/YYYY): _____

Thank you for choosing Omcan | Merci d'avoir choisi Omcan | Gracias por elegir Omcan



Since 1951 Omcan has grown to become a leading distributor of equipment and supplies to the North American food service industry. Our success over these many years can be attributed to our commitment to strengthen and develop new and existing relationships with our valued customers and manufacturers. Today with partners in North America, Europe, Asia and South America, we continually work to improve and grow the company. We strive to offer customers exceptional value through our qualified local sales and service representatives who provide convenient access to over 5,000 globally sourced products.

Depuis 1951 Omcan a grandi pour devenir un des “leaders” de la distribution des équipements et matériel pour l’industrie des services alimentaires en Amérique du Nord. Notre succès au cours de ces nombreuses années peut être attribué à notre engagement à renforcer et à développer de nouvelles et existantes relations avec nos clients et les fabricants de valeur. Aujourd’hui avec des partenaires en Amérique du Nord, Europe, Asie et Amérique du Sud, nous travaillons continuellement à améliorer et développer l’entreprise. Nous nous efforçons d’offrir à nos clients une valeur exceptionnelle grâce à nos ventes locales qualifiées et des représentants de service qui offrent un accès facile à plus de 5000 produits provenant du monde entier.

Desde 1951 Omcan ha crecido hasta convertirse en un líder en la distribución de equipos y suministros de alimentos en América del Norte industria de servicios. Nuestro éxito en estos años se puede atribuir a nuestro compromiso de fortalecer y desarrollar nuevas relaciones existentes con nuestros valiosos clientes y fabricantes. Hoy con socios de América del Norte, Europa, Asia y América del Sur, que trabajan continuamente para mejorar y crecer la empresa. Nos esforzamos por ofrecer a nuestros clientes valor excepcional a través de nuestro local de ventas y representantes de los servicios que proporcionan un fácil acceso a más de 5,000 productos con origen a nivel mundial.

